

---

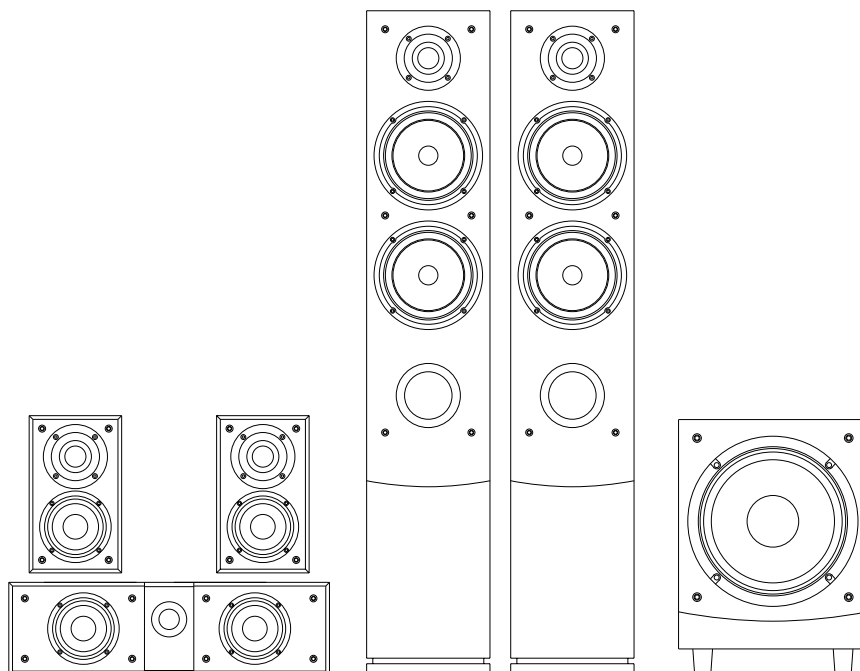
# INTERVISION

## SP-310

---

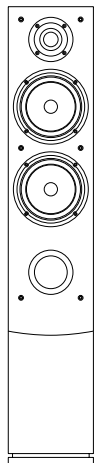
---

### Manualul Utilizatorului

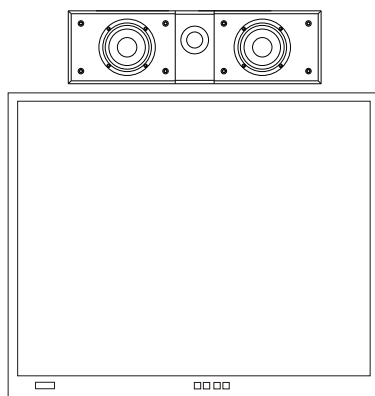


## Schita amplasarii boxelor

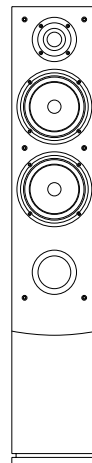
Frontal



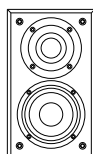
Centru



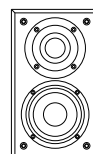
Frontal



Spate



Spate



### Precautii

Inainte de a utiliza aceste boxe va rugam sa cititi instructiunile!

NU plasati surse deschise de foc precum lumanari in apropierea boxelor sau deasupra acestora.

Folositi carpe uscate pentru curatire. Nu curatati cu substante inflamabile.

NU plasati obiecte grele deasupra acestora.

NU incercati sa desfaceti singur boxele si sa incercati sa le reparati. Apelati la cel mai apropiat service pentru orice defectiune.

### Amplasarea boxelor

Amplasarea acestora este foarte importanta. Amplasati boxele frontale la o distanta de minim 2m fata de boxa centrala, stanga si dreapta. Boxa centrala trebuie pozitionata

deasupra TV, cu fata spre dvs. Boxele din spate trebuie pozitionate la jumatate de metru inapoi fata de pozitia dumneavoastra, dreapta si stanga. In camerele cu dimensiuni mici, unde nu se pot amplasa boxele din spate intr-un asemenea mod, pentru o solutie de compromis acestea trebuie pozitionate dinapoia camerei, cu fata spre pozitia dvs.

### **Conexiunea firelor**

Folositi fire de calitate buna cu un diametru de la 1.5 mm pana la 2 mm, cu un marcaj la capat pentru a determina care este sensul pozitiv. Acest lucru este foarte important pentru ca daca conectati la boxe un fir negru la o mufa rosie, vor aparea disensiuni in redarea sunetului. Trebuie sa va asigurati de buna conexiune a firelor, + la + si la - .

### **Conexiunea prizelor banana**

Terminalele boxelor centrale au o priza numita banana. Daca cumparati prizele, trebuie dupa aceea fixate direct in terminalul boxelor. De asemenea exista o gaura sub terminal. Daca nu folositi priza banana taiati capetele firelor cam 15 mm, introduceti firele prin gaura su strangeti terminalul. Fiti sigur ca toate terminalele sunt stranse corespunzator. Daca nu sunt stranse bine poate produce un tip static de sunet.

### **Conectarea standard a boxelor**

Conectati rosu + de la emitator la rosu + de la boxa si negru la fel. Conectati toate boxele la emitator in concordanta cu emitatorul.

### **Specificatii tehnice**

<b>Boxele Frontale</b>	
Putere Maxima (W)	100 W
Frecventa de raspuns	55Hz-20KHz
Impedanta (ohm)	6
Senzitivitatea (dB)	87
<b>Boxa centrala</b>	
Putere Maxima (W)	70 W
Frecventa de raspuns	65Hz-20KHz
Impedanta (ohm)	8
Senzitivitatea (dB)	86
<b>Boxele din spate</b>	
Putere Maxima (W)	70 W
Frecventa de raspuns	65Hz-20KHz
Impedanta (ohm)	8
Senzitivitatea (dB)	85
<b>Subwoofer</b>	
Putere Maxima (W)	100 W
Frecventa de raspuns	30 Hz-350Hz
Impedanta (ohm)	4
Senzitivitatea (dB)	85

**ATENTIE!** Folosirea unui amplificator cu o putere de iesire RMS mai mare decat cea a boxelor specificata mai sus duce la distrugerea acestora si la pierderea garantiei! Intotdeauna cuplati boxele la un amplificator cu o putere mai mica decat cea a boxelor.

## Reciclarea echipamentelor electrice si electronice uzate



Acest simbol prezent pe produs sau pe ambalaj semnifica faptul ca produsul respectiv trebuie tratat ca un deșeu menajer obișnuit. Nu aruncați aparatul la gunoierul menajer la sfârșitul duratei de funcționare ci duceți-l la un centru de colectare autorizat pentru reciclare. În acest fel veți ajuta la protejarea mediului înconjurător și veți putea evita eventualele consecințe negative pe care le-ar putea avea asupra mediului și sănătății umane.

Pentru a afla adresa celui mai apropiat centru de colectare:

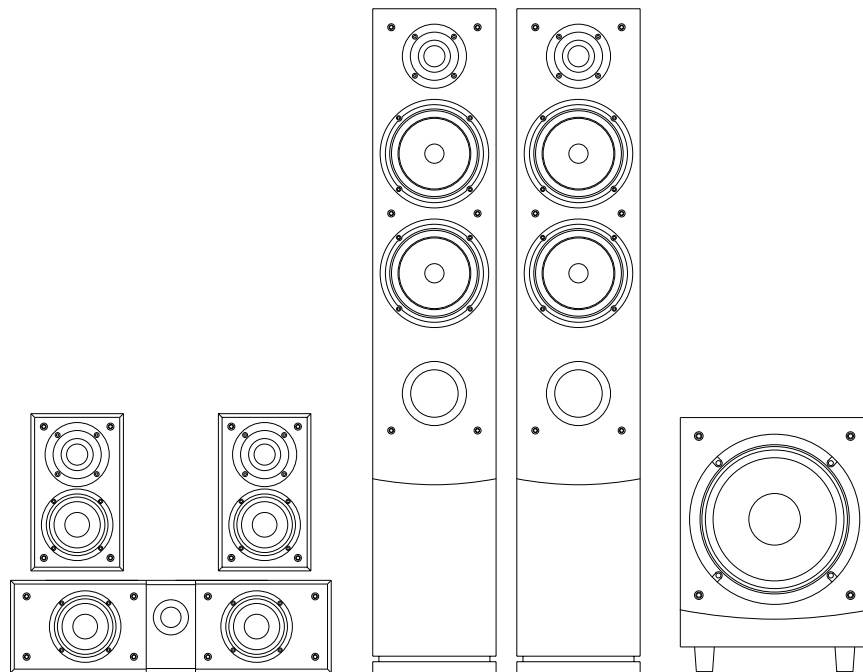
- contactați autoritățile locale
- accesați pagina de internet: [www.mmediu.ro](http://www.mmediu.ro)
- solicitați informații suplimentare la magazinul de unde ați achiziționat produsul.

---

# INTERVISION

## SP-310

---

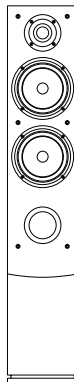


## Contents:

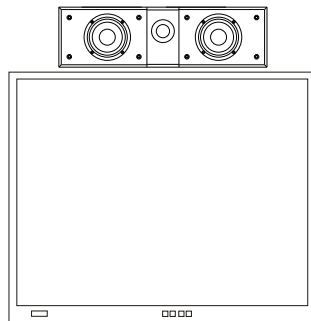
---

Contents:.....	2
For you attention.....	3
Operation instructions.....	3
Placement of speakers.....	3
Speaker Wire.....	3
Banana Plug Connectors.....	3
Standard Speaker Connection.....	3
Specifications.....	4

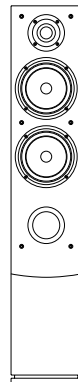
FRONT



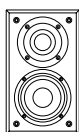
CENTRE



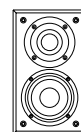
FRONT



SURROUND



SURROUND



## For you attention

---

Thank you for choosing Home Theater Speaker System SP-310. Before attempting to connect and/or operate this Home Theater Speaker System, please read the following instructions and keep this manual for future reference.

### Caution!

Do not place sources of naked flames, such as lighted candles, on the unit.

Use a damp cloth for cleaning. Do not use liquid or aerosol cleaners.

Do not place heavy objects onto the top of this unit.

### Service:

Do not try to eliminate breakages by your own. Should the sound is out, the smoke appears or any other troubles take place, which were not mentioned in this manual, please, call your dealer or service center.

### Warning:

Do not open covers and do not repair yourself. Refer servicing to qualified personnel.

## Operation instructions

---

### Placement of speakers

Speaker placement is very important. Please place the front speakers at least 2 meters apart left and right of center speaker. The center speaker should be placed on top or below the TV, facing you. The rear speakers should be placed behind your seating position about a half and a meter to the left and to the right. There are rooms where it is impossible. To compromise place the rear speakers at the back of the room, facing your seating position.

### Speaker Wire

Use good quality speaker wire around 1.5 to 2 mm in diameter with a trace or marking on the plastic coating to determine which is the positive wire. This is very important, because if you connect your speakers red to black on 1 speaker you will have what we call (out of phase). You must ensure that positive + of the amplifier goes to positive + on the speaker. If you connect the wrong way it will reduce the bass response and change the characteristics of the speakers sound.

### Banana Plug Connectors

The terminals on the front speakers have Banana plug sockets. You can purchase Banana plugs from your store that fit the wire and plug directly into the sockets on terminals. There is also a large diameter hole under the terminal. If you are not using Banana plugs cut the coating from the wire about 15 mm, unscrew the terminal, push the wire through the hole and do the terminal up tight. Make sure that all terminals are tight properly. If they are loose this can cause a static type of sound.

### Standard Speaker Connection

Connect red + from your receiver to red + on the speaker and black  
Connect all the speakers to the receiver connectors according to receiver

# Specifications

Appearance	
Color	— —
Front speakers	
Max power (W)	100w
Frequency response (Hz)	55Hz-20KHz
Impedance (Ohm)	6
Sensitivity (dB)	87
Dimensions (L*W*H)mm	
Central speaker	
Max power (W)	70w
Frequency response (Hz)	65Hz-20KHz
Impedance (Ohm)	8
Sensitivity (dB)	86
Dimensions (L*W*H)mm	
Rear speakers	
Max power (W)	70w
Frequency response (Hz)	65Hz-20KHz
Impedance (Ohm)	8
Sensitivity (dB)	85
Dimensions (L*W*H)mm	
Subwoofer	
Display	—
Max power (W)	100w
Frequency response (Hz)	30Hz-350Hz
Impedance (Ohm)	4
Sensitivity (dB)	85
Dimensions (L*W*H)mm	

Specifications are subject to change without notice.

Weight and dimension are approximate.

**NOTICES:** Working with amplifier of higher RMS power, may cause damage to the Product. It is recommended to select amplifier of RMS power  $\leq 80W$  when usage of the Product.